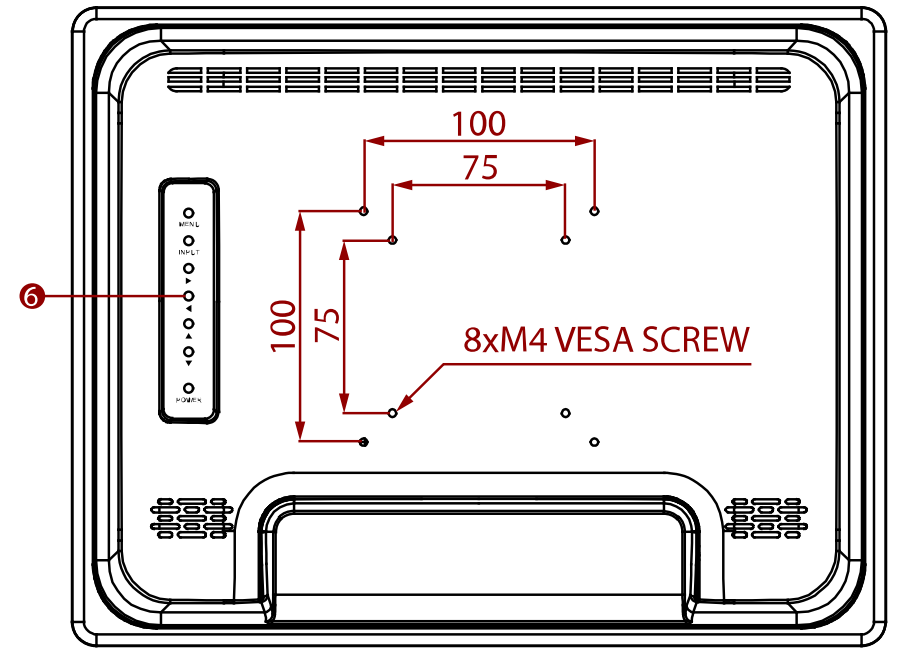
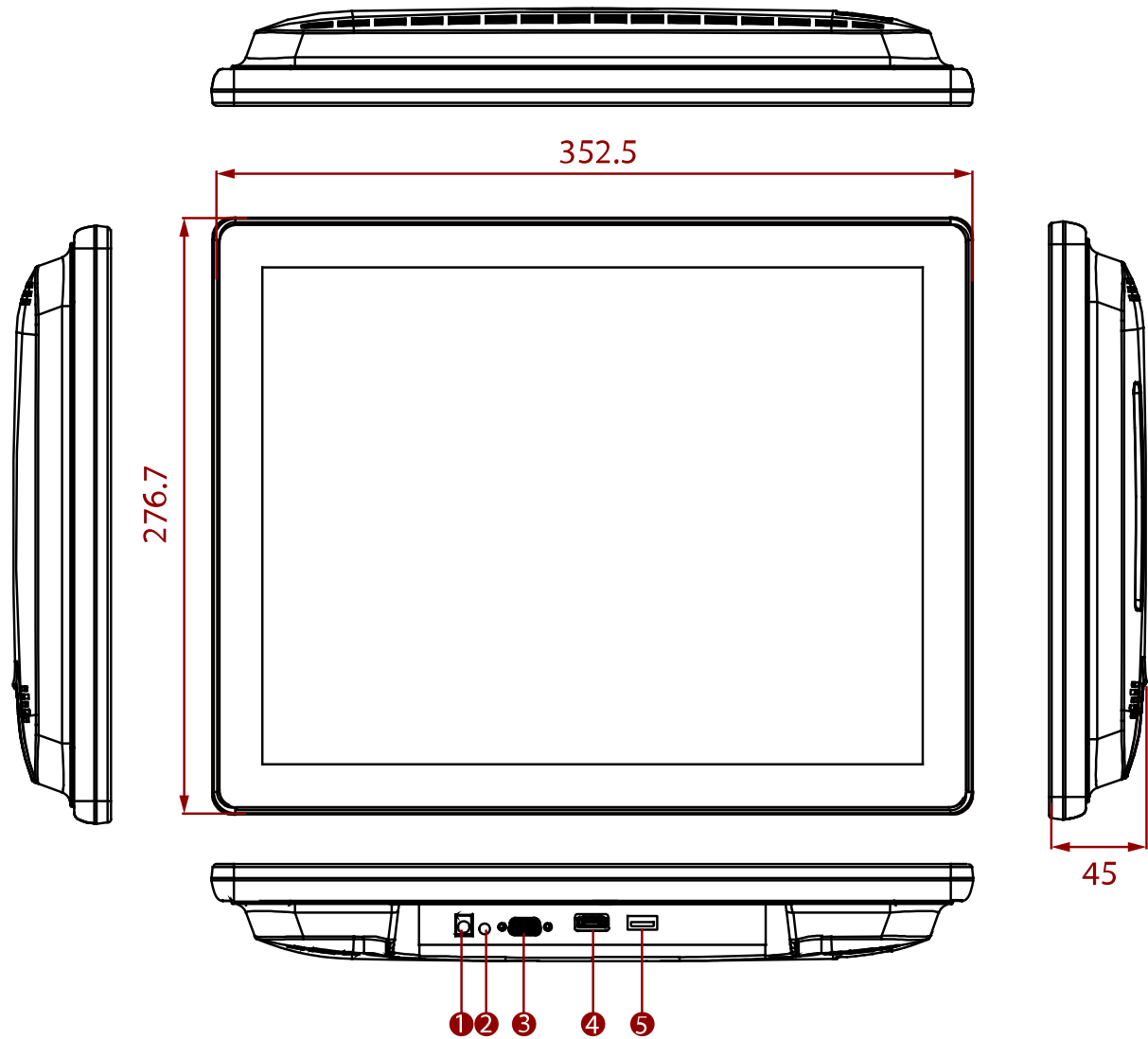


**WM Series**  
 WM R15L100-PTC3 (Chassis)  
 38,1 cm (15") 4:3 LCD



- |               |                        |
|---------------|------------------------|
| ① Power Input | ④ HDMI                 |
| ② Audio       | ⑤ USB/ RS232 for Touch |
| ③ VGA         | ⑥ OSD Control Panel    |