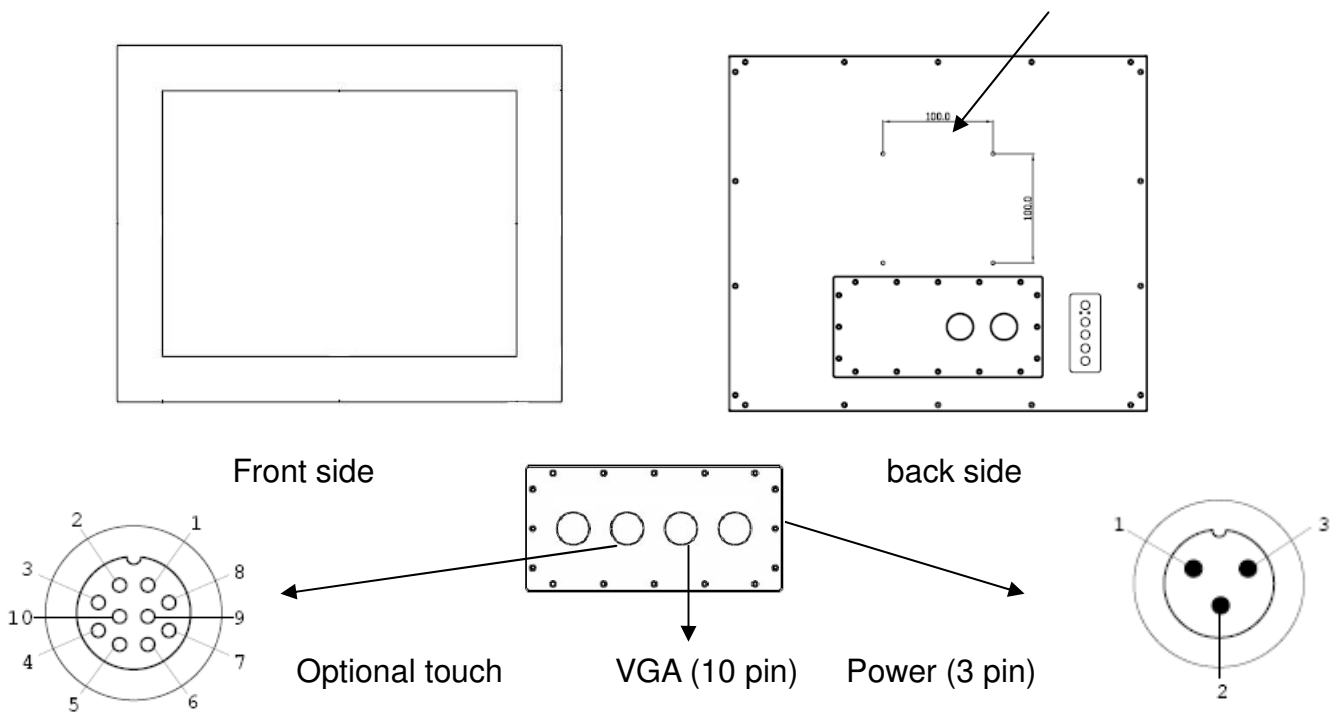


# Quick Installation Guide of Full IP65/NEMA 4X LCD

## Overview(LCD)

VESA standard (100\*100)



Full IP65 MONITOR provides two IO in back side. One is power (3 pin) in the right side, another is VGA and optional touch interface (USB or RS232) in the left side. All connectors are IP65 level and fool-proofing design; it helps the end user to install correctly.

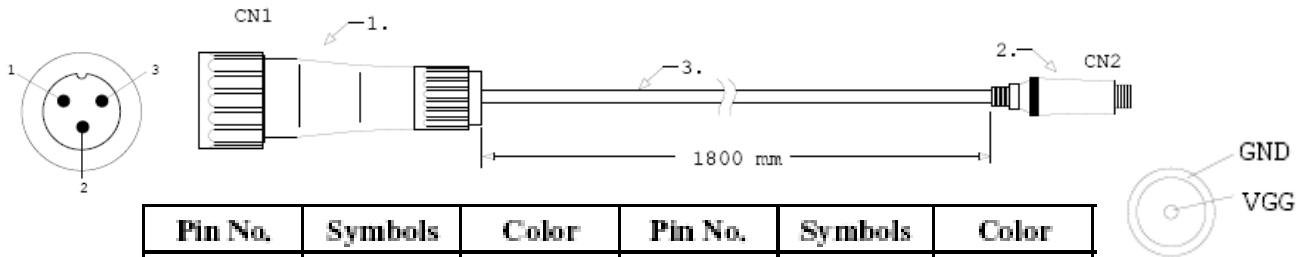
## Cable List

VGA and power cable is standard, and USB/RS232 cable depends on the touch interface. All cables are 1.8 M with IP65- level connector in LCD side and standard IO in PC side.

LCD	IP65 connector	PC side IO type
DC power cord	3 pin	Female (2.5 fai)
USB(optional)	10 pin	Male
RS232(optional)	10 pin	Female(D-sub 9)
VGA	10 pin	Male(D-sub 15)

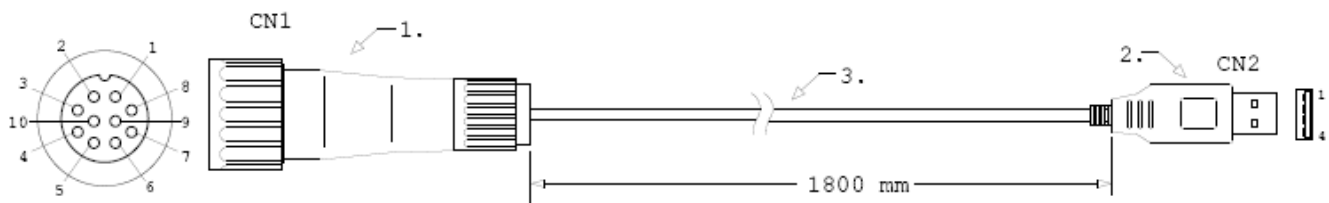
## Cable drawing/pine defines

### DC power



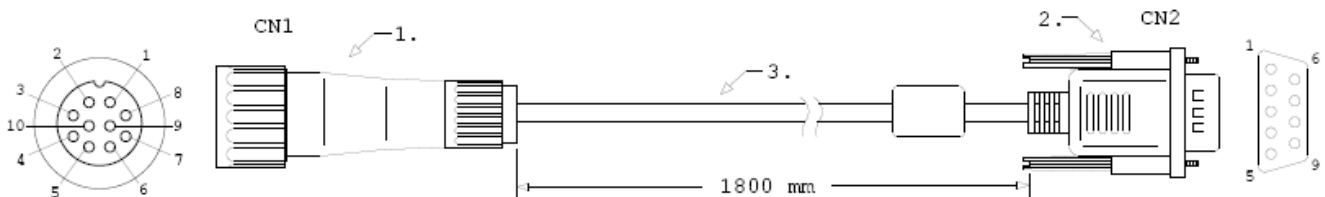
Pin No.	Symbols	Color	Pin No.	Symbols	Color
CN1-1	VCC	Red	CN2	VCC	Red
CN1-3	GND	Black	CN2	GND	Black
CN1-2	Shield			Shield	

### USB



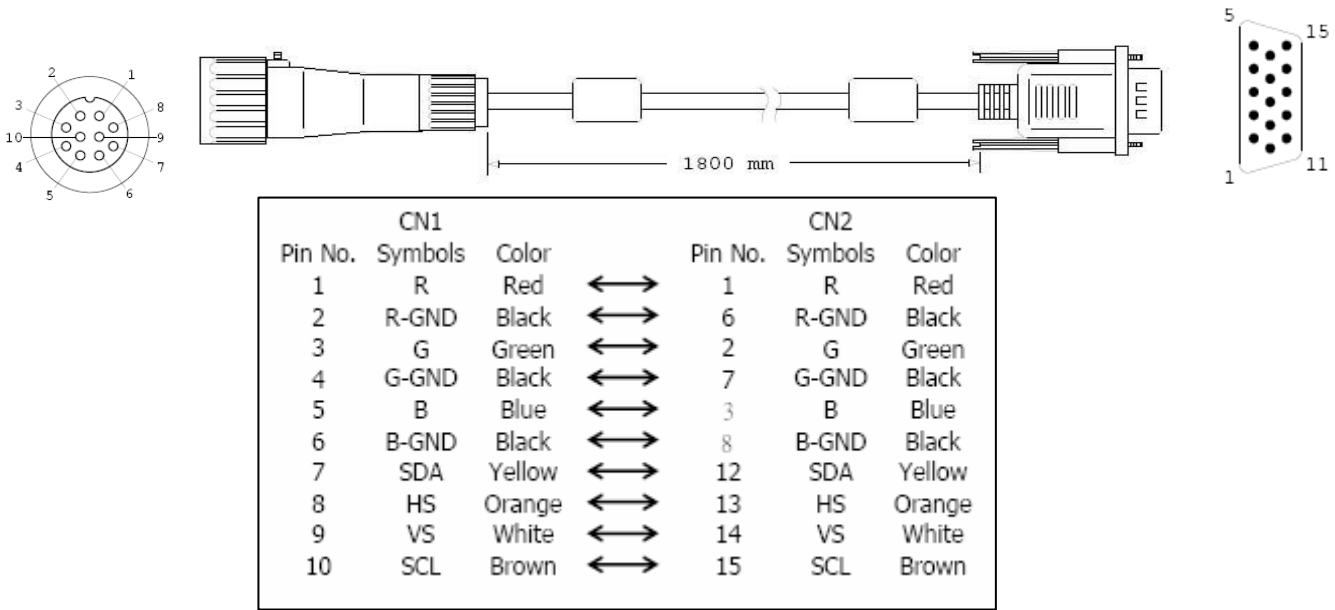
Pin No.	Symbols	Color	Pin No.	Symbols	Color
CN1-1	VCC	Red	CN2-1	VCC	Red
CN1-2	D-	WHITE	CN2-2	D-	WHITE
CN1-3	D+	Green	CN2-3	D+	Green
CN1-4	GND	Black	CN2-4	GND	Black
CN1-5	Shield				

### RS232



Pin No.	Symbols	Color	Pin No.	Symbols	Color
CN1-1	DCD-CON2	Green	CN2-1	DCD-CON2	Green
CN1-2	DSR-CON2	Brown	CN2-6	DSR-CON2	Brown
CN1-3	RXD-CON2	Red	CN2-2	RXD-CON2	Red
CN1-4	RTS-CON2	Orange	CN2-7	RTS-CON2	Orange
CN1-5	TXD-CON2	Blue	CN2-3	TXD-CON2	Blue
CN1-6	CTS-CON2	White	CN2-8	CTS-CON2	White
CN1-7	DTR-CON2	Purple	CN2-4	DTR-CON2	Purple
CN1-8	RI-CON2	Yellow	CN2-9	RI-CON2	Yellow
CN1-9	GND-CON2	Black	CN2-5	GND-CON2	Black
CN1-10	NC		CN2-10	NC	

## VGA



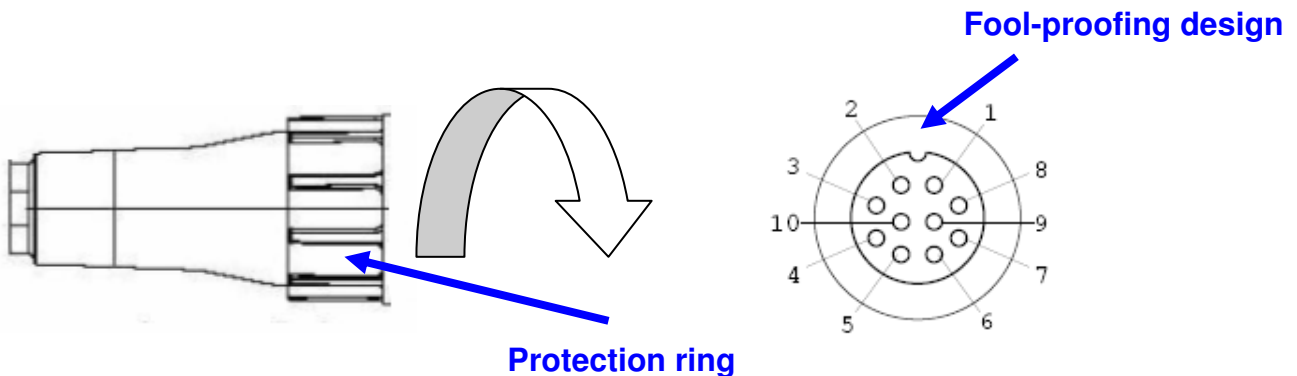
## Installations

Step1. Open the covers on the connectors

All IO on the rear side of LCD is well protected with a plastic cover. Before installing the monitor, user needs to open it.

Step2. Power Cable Connection (3 pin)

The power cable is 3 pin IP65 connector design in LCD side. User need to plug in and make the cable fit the connector, then the O-ring on the cable will be squeezed as the protection ring is screwing clockwise.



Step3. VGA cable connection (only for LCD)

Connect the VGA cable to your PC. The VGA connector is 10 pin designs in LCD side, User need to plug in and make the cable fit the connector, and then the O-ring on the cable will be squeezed as the protection ring is screwing clockwise.

Step4. Touch interface (RS232/USB)

Connect touch interface to your PC, User need to plug in and make the cable fit the connector, and then the O-ring on the cable will be squeezed as the protection ring is screwing clockwise.

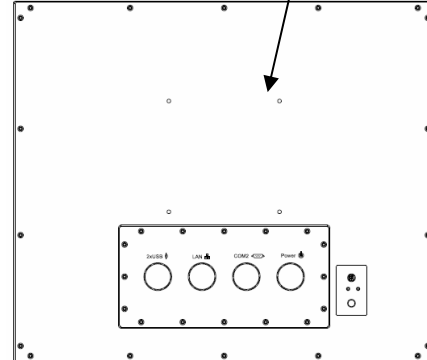
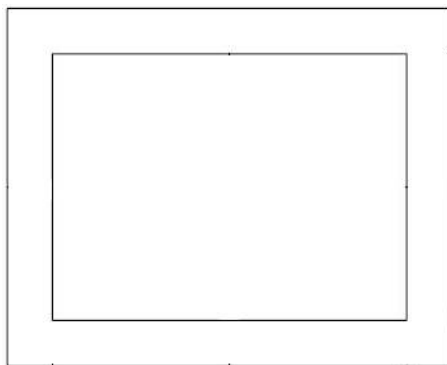
### **LCD Accessory list**

VGA cable	1 PCS
Power cable	1 PCS
Touch cable (optional)	1 PCS
Adapter	1 PCS
Quick installation guide	1 PCS

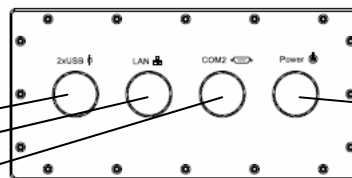
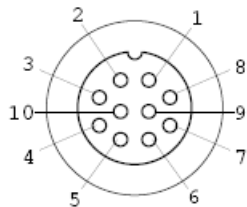
# Quick Installation Guide of Full IP65/NEMA 4X PPC

## Overview(PPC)

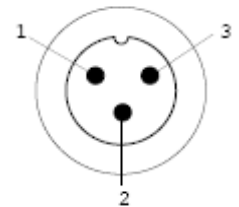
VESA standard (100\*100)



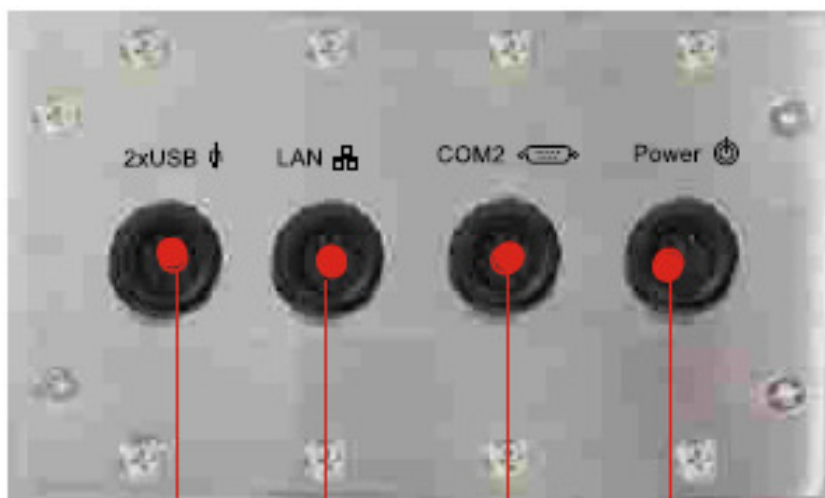
USB (2) / LAN / COM



Power



Full IP65 PPC provides Four IO. One is 2 x USB(10 pin) in the left side, LAN and COM connector in the middle, power connector in the right side. All of the connectors are IP65 level and fool-proofing design, it helps the end user to installation USB, LAN and COM cables correctly.



2 x USB

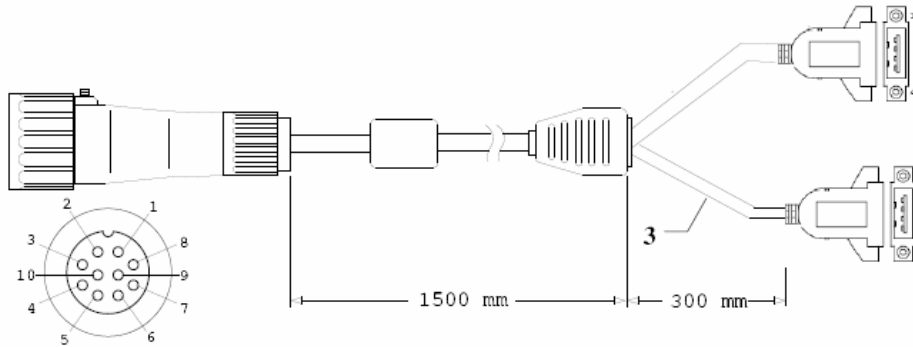
COM2

LAN

Power

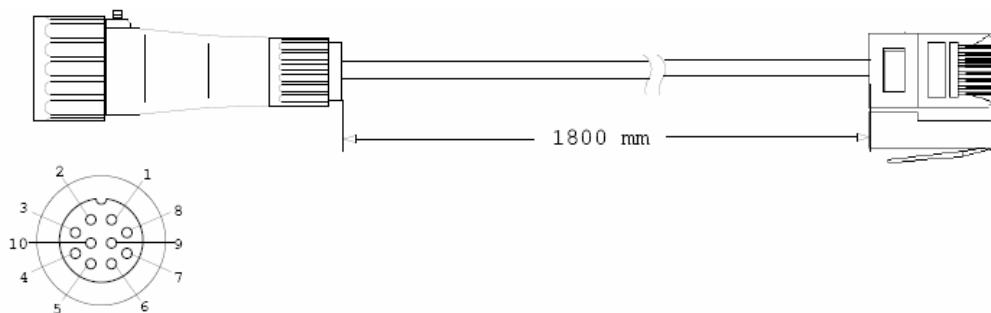
# Cable drawing & Cable pin define

## 1. USB Cable



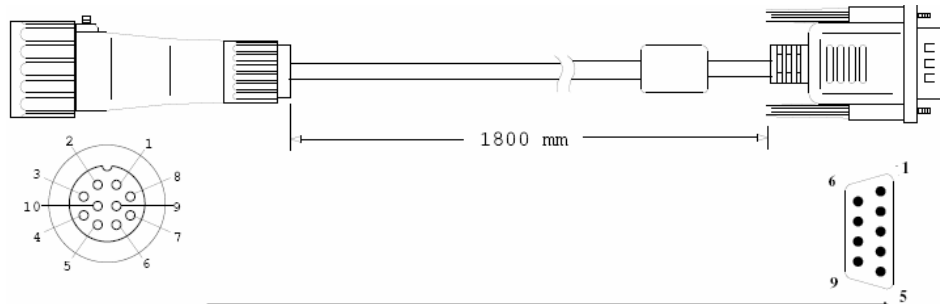
Pin Define Table					
cable type	10pin conn.		A Type Female		A Type Female
	Pin No.	Symbols	Pin No.	Symbols	Pin No. Symbols
USB	1	VCC	1	VCC	
	3D	-	2	D-	
	5D	+	3	D+	
	7	GND	4	GND	
	9N	C			
	2	VCC			1 VCC
	4D	-			2 D-
	6D	+			3 D+
	8	GND			4 GND
	10	NC			

## 2. LAN Cable



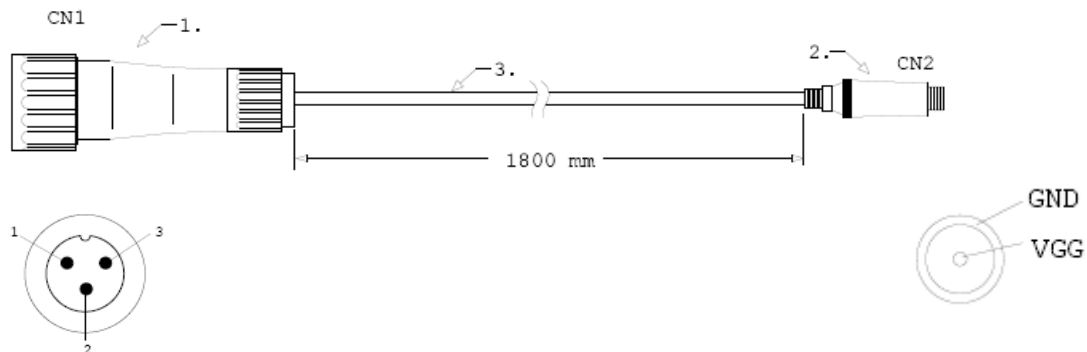
Pin Define Table						
cable type	10pin conn.		US PLUG 8P8C 3U*			
	Pin No.	Symbols	Pin No.	Symbols		
LAN	1		1			
	2		2			
	3		3			
	4		4			
	5		5			
	6		6			
	7		7			
	8		8			
	9	NC		9	NC	
	10	NC		10	NC	

### 3. RS-232 Cable



Pin Define Table					
cable type	10pin conn.			D-Sub 9Pin	
RS232	Pin No.	Symbols		Pin No.	Symbols
	1	DCD-CON2	↔	1	DCD-CON2
	2	DSR-CON2	↔	6	DSR-CON2
	3	RXD-CON2	↔	2	RXD-CON2
	4	RTS-CON2	↔	7	RTS-CON2
	5	TXD-CON2	↔	3	TXD-CON2
	6	CTS-CON2	↔	8	CTS-CON2
	7	DTR-CON2	↔	4	DTR-CON2
	8	RI-CON2	↔	9	RI-CON2
	9	GND-CON2	↔	5	GND-CON2
	10	NC	↔	10	NC

### 4. Power Cable



Pin No.	Symbols	Color	Pin No.	Symbols	Color
CN1-1	VCC	Red	CN2	VCC	Red
CN1-3	GND	Black	CN2	GND	Black
CN1-2	Shield			Shield	

The Full-IP65 solution provides water proof and anti-dust cables: RS-232 cable, USB Cable, LAN cable and power cable. The water proof part of power cable is 1.8 meter long with IP-65 connector; the other side is normal cable with standard IO such as: RS232/USB/LAN and DC power jack. If you lost any one please contact with your supplier.

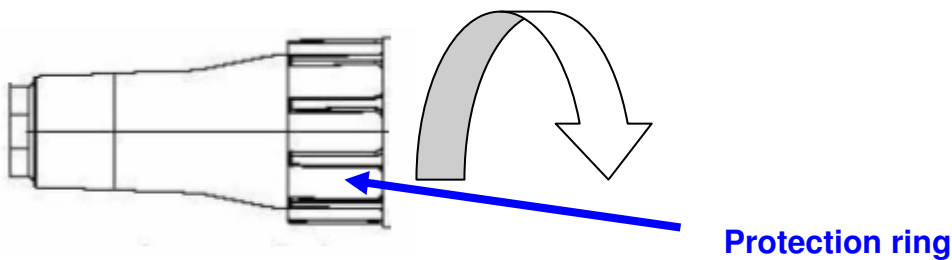
## Installations

Step1. Open the covers on the connectors

All IO on the rear side of PPC is well protected with a plastic cover. Before installing the PPC, user needs to open it.

Step2. Power Cable Connection (3 pin)

The power cable is 3 pin IP65 connector design in PPC side. User need to plug in and make the cable fit the connector, then the O-ring on the cable will be squeezed as the protection ring is screwing clockwise.



Step3. USB/COM/LAN cable connection (10 pin)

Connect the USB/COM/LAN cable to your PC. The USB/COM/LAN connector is 10 pin designs in PPC side, User need to plug in and make the cable fit the 10 pin connector, and then the O-ring on the cable will be squeezed as the protection ring is screwing clockwise.

## PPC Accessory list

USB cable	1 PCS
LAN Cable	1 PCS
RS-232 Cable	1 PCS
Power Cable	1 PCS
Adapter	1 PCS
Quick installation guide	1 PCS