

# M101RK

## Rugged Android Tablet

ARM® Cortex™-A72 Quad-Core, 2.0 GHz

ARM® Cortex™-A53 Quad-Core, 1.5 GHz

Android 7.1



# Quick Start Guide

---

Version 1.1

Document Part Number: 9152111K1057

Please read these instructions carefully before using this product, and save this manual for future use.

## 1 Getting Started

Congratulations on purchasing Winmate® M101RK Rugged Android Tablet Computer. The rugged design allows you to use it in harsh outdoor environments.

This quick start guide tells you step by step how to get the Tablet Computer up and running. You will find instructions for the following procedures:

- Unpacking
- Description of Parts
- First Time Operations
- Turning On/Off the Device

## 2 Unpacking

Check and identify the standard supplied accessories.

### Standard factory shipment list:

- **Tablet Computer**



- **Standard Battery**  
Part No. 98K000A0003R



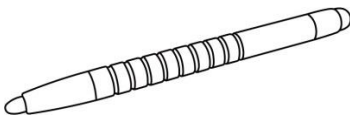
- **Power Adapter**  
Part No. 922D036W12V6



- **Power Cord and Plugs**



- **Capacitive Touch Stylus**  
Part No. 9B000000001D

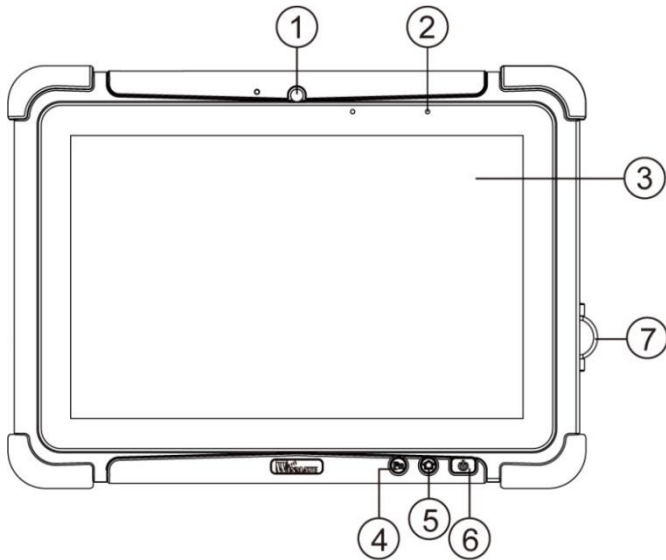


- **Quick Start Guide**

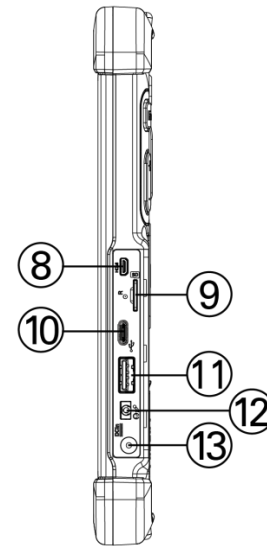


### 3 Description of Parts

Front:



Right:

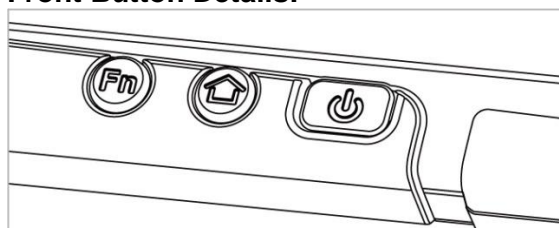


No	Item	Description
1	Front Camera	2 Megapixel Webcam
2	LED Indicators:	Show the current status of the Tablet Computer <b>Red:</b> Charging / Hot-swap battery <b>Green:</b> Full Charge <b>Blue:</b> Turning on
3	Touch Screen	Display and act as one of the inputs for the Tablet Computer
4	Back Button	Back to previous page
5	Home Button	Back to Desktop
6	Power Button	Power on/off
7	I/O Cover	Protects I/O ports

**Front LED Indicators Details:**

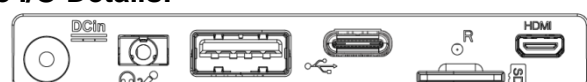


**Front Button Details:**

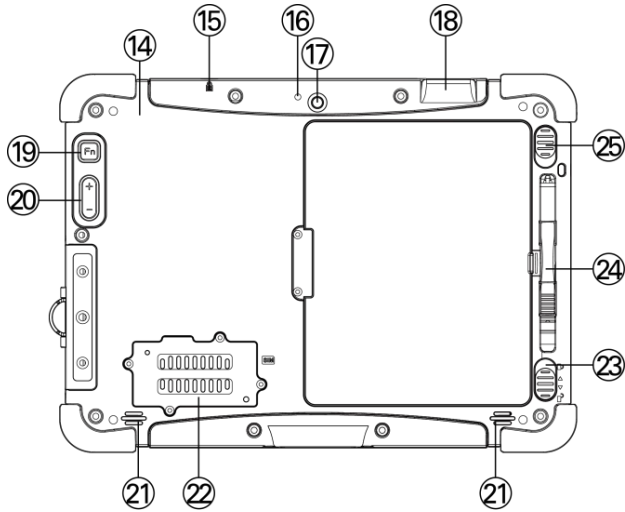


No	Item	Description
8	Micro HDMI	HDMI Output
9	Micro SD Card Reader	Memory card reader port for Micro SD Card
10	USB Type C	High speed USB port connects to PC or USB devices such as mouse, keyboard, etc. <b>Note:</b> The USB Type-C connector follows USB 3.0 standard and support Dual Role port (DRP), which does not support Alternate Mode (ALT) or USB Power Delivery (USB-PD).
11	USB 3.0 Host	High speed USB port connects to PC or USB devices such as mouse, keyboard, etc. <b>Note:</b> This USB port won't work when the tablet is connected to the optional docking. Please use the USB ports on the docking.
12	Mic In/Line Out	Headset or headphone can be connected
13	Power Jack	DC-IN power input jack

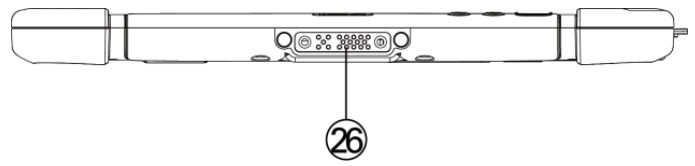
**Side I/O Details:**



**Rear:**



**Bottom:**



No	Item	Description
14	NFC	Optional NFC reader for reading of NFC tags.
15	Kensington Lock Port	Provide lock access for Kensington Lock.
16	Expansion Port	Provide optional connectivity to custom modules for special application (USB2.0, RS232).
17	Rear Camera	5MP Autofocus Camera. Captures photos and videos.
18	Optional Barcode	Barcode Scanner for reading of 1D / 2D barcode.
19	Fn Button	Menu.
20	Volume Control or Scan Buttons	Volume Control (+) Raise volume, (-) Lower volume. Scan Button Use WDC to change button definition (+)/(-) for scanning
21	Speakers	Emits sounds
22	3G / LTE Module (Optional) / SIM card slot	Service window to insert Micro SIM card. Also provide access to 3G / LTE Module.

No	Item	Description
23	Battery Lock Latch	Latch to lock the battery in place once battery is inserted. No spring loaded.
24	Touch Pen Slot	Pen holder slot to store touch pen.
25	Battery Release Slider	Spring-loaded slider that latches the battery in.
26	Docking Connector	Port to docking solutions such as vehicle docking to provide power and external antenna.

**4 First-Time Operation**

To get started:

1. Install SIM-card (For 3G/LTE equipped devices).
2. Insert MicroSD card.
3. Install the battery.
4. Charge your tablet.
5. Start the tablet.

## Installing SIM Card (For 3G/LTE Equipped Devices)

The Tablet Computer supports 3G/LTE data connection and fits a Micro-SIM card.

To install the SIM card:

Tools Needed:

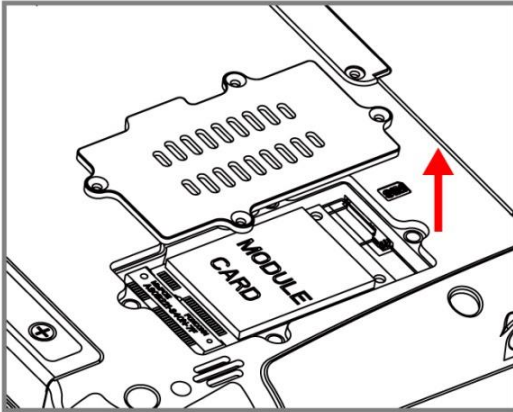
### Service Windows

Screw: M2x5, 4 pc  
Screwdriver: Philips Type , Size #0 , for M2 screws, torque:  $2.0 \pm 0.5$  kgf.cm

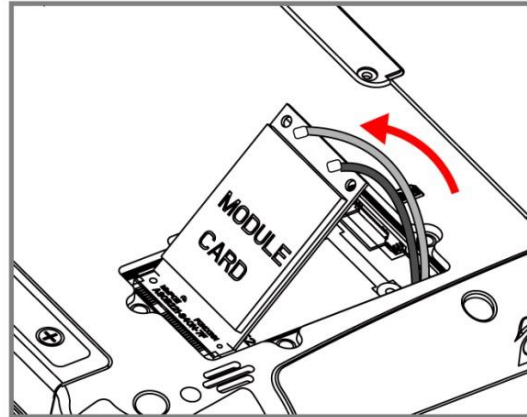
### 3G/ LTE Module

Screw: M2x3.5, 1 pc  
Screwdriver: Philips Type , Size #0 , for M2 screws, torque:  $2.0 \pm 0.5$  kgf.cm

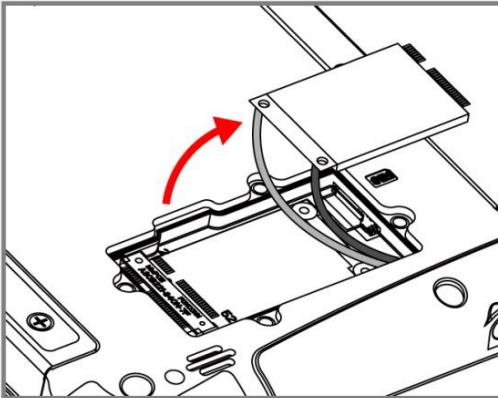
- ❶ Remove four screws and remove the service window.



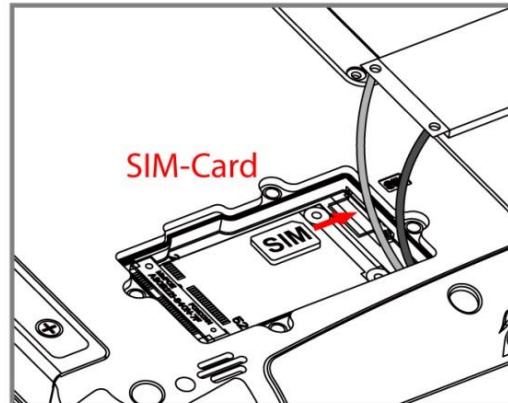
- ❷ Remove the one screw that secures the 3G/ LTE module. Carefully lift the module up. **Do not to damage the connected cables!**



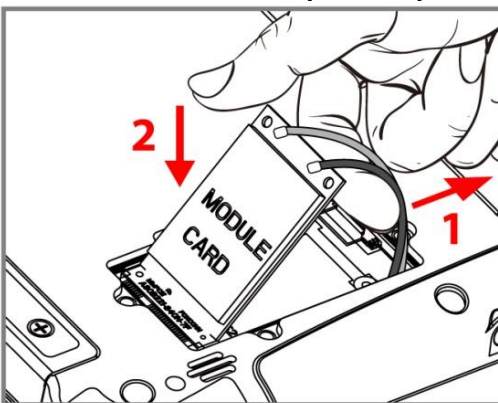
- ❸ Carefully flip and move the 3G/ LTE module and to the right. **Do not disconnect cables!**



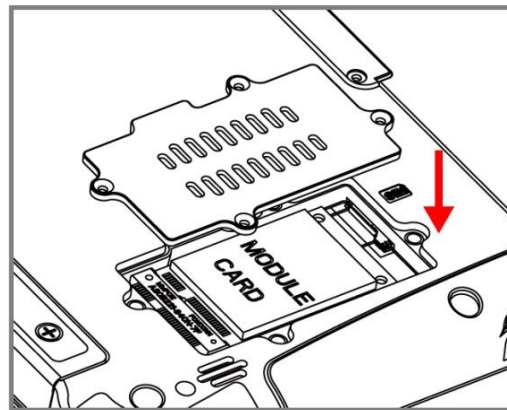
- ❹ Insert SIM-Card all the way in. **Chip/ contact facing down.**



- ❺ Use your hand to carefully pull the cable outside the module card. Re-insert the 3G/LTE module and fasten one screw. Accurately route the cables. **Do not bend cables! Do not pinch/ squeeze the cable!**



- ❻ Re-insert the service window and fasten with the four screws.



### Caution

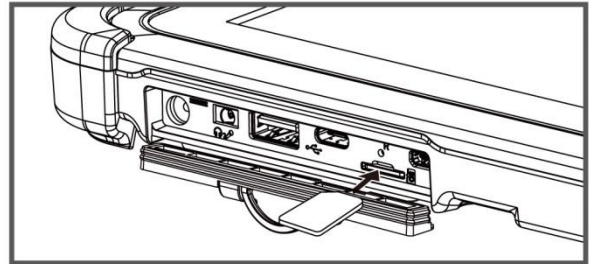
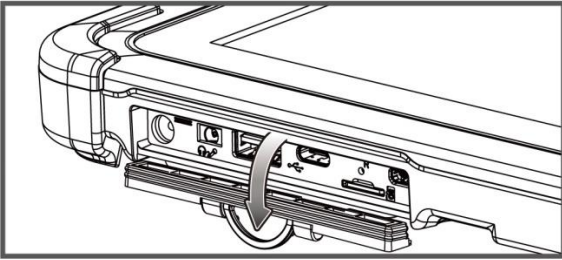
When re-inserting 3G/LTE module, please pay attention to cable routing. Make sure the cable module does not get squeezed.

## Inserting MicroSD Card

Your tablet supports *Micro SDXS card*.

To install *Micro SDXS card*:

1. Open I/O protective cover by pulling out the latch.
2. Insert microSD card into slot with contacts facing down.
3. Press the card in to ensure that it is seated properly.
4. Close I/O protective cover.



To remove *Micro SD Card*:

1. Open I/O protective cover by pulling out the latch.
2. Push and release the micro SD card to unlock it.
3. Pull out the micro SD card.

## Inserting Battery Pack

### Warning!



Discontinue using device immediately if you notice the battery is swelling, or looks puffy or misshapen. Do not attempt to charge or use the device. Do not handle a damaged or leaking battery. Do not let leaking battery fluid come into contact with your eyes, skin or clothing.

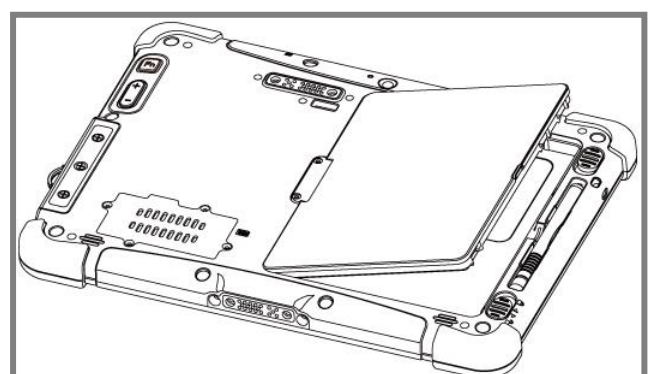
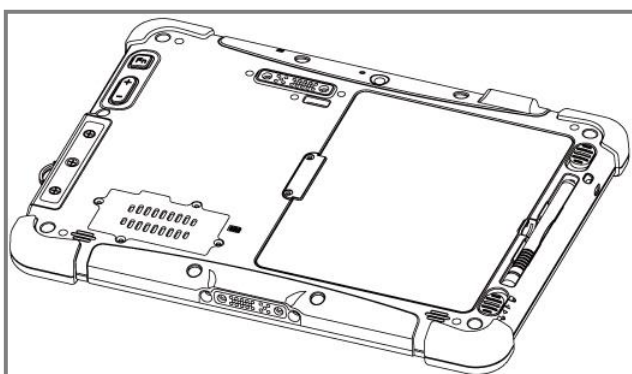
### Caution



To keep battery health and prevent possible issues from battery over-discharged, please charge the tablet built-in back-up battery once every two months.

To insert the standard battery pack into the Tablet Computer:

1. Disconnect AC adapter and power cord from the tablet computer.
2. Turn the tablet computer over, back facing up.
3. Locate the Battery Lock Latch and push it to the "Unlocked" position.
4. Locate the Battery Release Slider that is spring-loaded. Pull back and hold.
5. Insert the battery on the connector-pins side first, and then lower the battery into the battery compartment. Continue to hold the Battery Release Slider before battery is fully inserted.
6. Make sure the battery is completely lowered into the compartment before letting go the Battery Release Slider. Battery will be flat against the housing once fully inserted.





To remove the standard battery pack into the Tablet Computer:

1. Power off the tablet computer (or put it to sleep). Disconnect any cords connected to the computer.
2. Turn the tablet computer over, back facing up.
3. Locate the Battery Lock Latch and push it to the “Unlocked” position.
4. Locate the Battery Release Slider that is spring-loaded. Pull back and hold.
5. Lift the battery out using the opening on side of battery compartment.

## Connecting to Power Supply

The Tablet Computer operates either on external AC power or internal battery power. It is recommended to use AC power when you start up the Tablet Computer for the first time.



### Caution

Use only the AC adapter included with your Tablet Computer. Using other AC adapters may damage the Tablet Computer and the Battery.

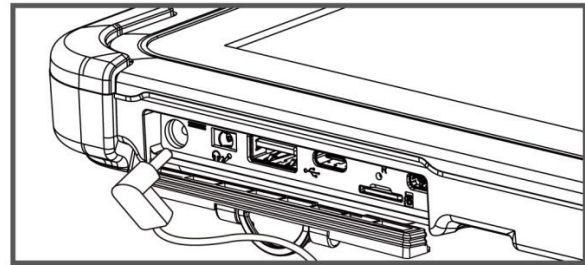
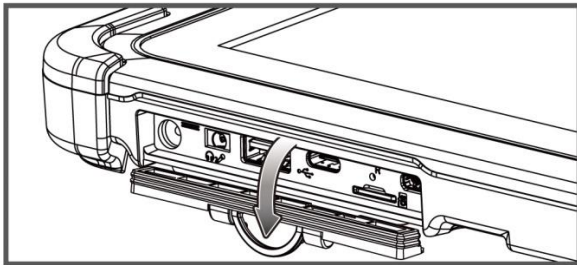


### Caution

For users start up the Tablet Computer for the first time with internal battery power, please make sure the battery is fully charged before using.

To connect the Tablet computer to AC Power:

1. On the side of the Tablet computer, lift the I/O protective cover by pulling on the latch
2. Plug the DC cord of the AC adapter into the Power Jack of the tablet computer.
3. Plug the AC power cord into the AC adapter.
4. Finally, Plug the AC power cord into the electrical outlet.



When the AC Adapter is connected, the battery pack starts charging. The battery LED indicator on the tablet computer would show different states. Please refer [Description of Parts](#) for information about LED indicators.


Standard Battery	
Battery Operating Time	8 Hours
Battery Charging Time	2.5 Hours

## 5 Turning On and Off the Device

To turn on the device:

1. Press and hold the power button for 3 seconds, located on the top side of the unit.
2. When the device vibrates, release the power button.
3. The desktop screen is displayed.

To turn off the device:

1. To turn off the device, press and hold the power button until the phone options menu appears, tap the **Power Off** .
2. User can also use the Phone options menu to put the device into silent or airplane mode.

