



M101B Tablet PC

Quick Start Guide

Please read these instructions carefully before using this product, and save this manual for future use.

Getting Started

Congratulations on purchasing this rugged Tablet Computer. The rugged design allows you to use it in harsh outdoor environments.

This quick start guide tells you step by step how to get the Tablet Computer up and running. You will find instructions for the following procedures:

- Unpacking
- Description of Parts
- First Time Operations
- Turning On/Off
- Vehicle Docking (Optional)
- Desk Docking (Optional)

Unpacking

Check and identify the supplied accessories:

- Tablet Computer



- Standard Battery



- Power Adapter



- Power Cord and Plugs

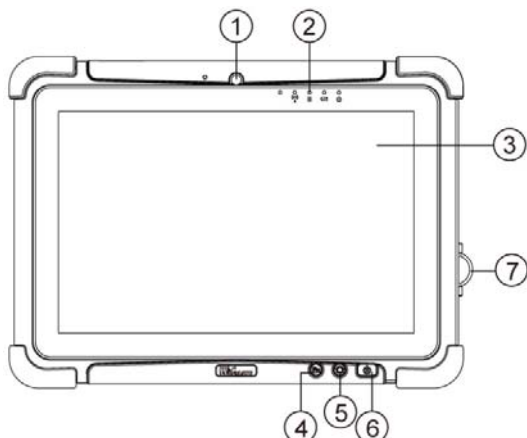


- Capacitive Touch Stylus

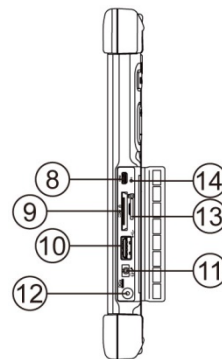





Description Of Parts

Front:

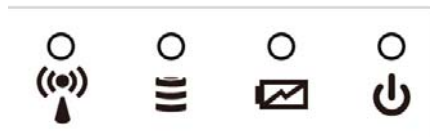


Right:



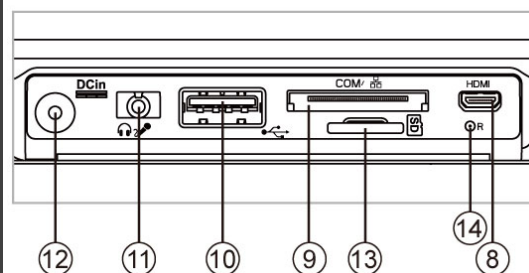
No	Item	Description
1	Front Camera	2 Megapixel Webcam
2	LED Indicators:	Show the current status of the Tablet Computer
	RF	 Green - WiFi/BT/3G/GPS ON No light - None of WiFi/BT/3G/GPS is ON
	HDD	Green - Harddrive Activity No light - Harddrive Idling
	Battery	 Orange – AC adapter is plugged in and charging Green – AC adapter is plugged in and battery is completely charged Solid Red - Low battery (<10%) Blinking Red – Battery is being hot swapped. Not lit – Battery is in use and more than 10%
	Power	 Blue – Tablet is ON No light – Tablet is OFF
3	Touch Screen	Displays and act as one of the inputs for the Tablet Computer
4	Fn1 Button	Programmable function key configured by HotTab Utility. Default: Web Browser
5	Menu Button	HotTab Quick Access
6	Power Button	Turns on/off tablet

Front LED Indicators Detail:

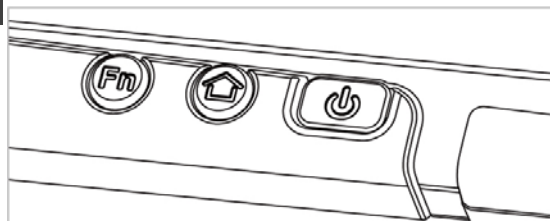


No	Item	Description
7	I/O Cover	Protects I/O ports
8	Micro HDMI	HDMI output to external display
9	LAN/RS232	Adapter port for LAN/RS232 connector
10	USB 3.0	High speed USB port connects to USB devices, such as USB flash drive, mouse, keyboard, printer, etc.
11	Mic In/Line Out	Headset or headphone can be connected (Mic is only supported with 3.5mm 4-pin headset)
12	Power Jack	DC-IN power input jack
13	MicroSD Card Reader	Memory card reader port for MicroSD Card
14	Reset Button	Hardware reset button

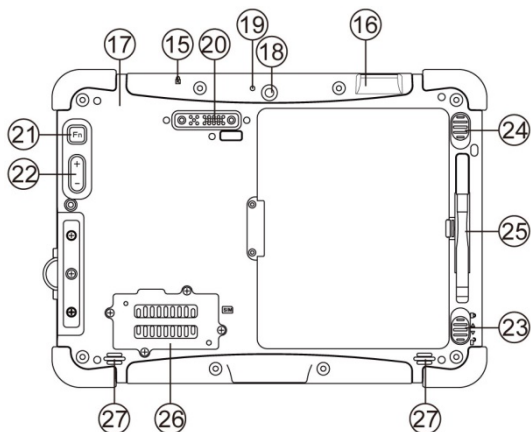
Side I/O Details:



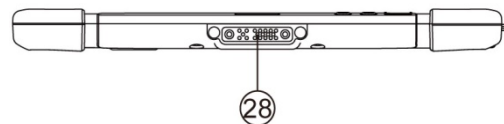
Front Buttons Details:



Rear:



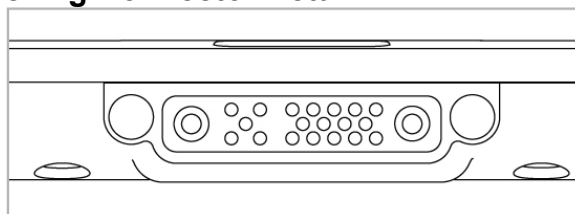
Bottom:



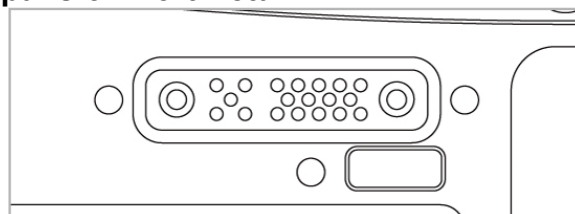
No	Item	Description
15	Kensington Lock Port	Provides lock access for Kensington Lock.
16	Optional Barcode	Barcode Scanner for reading of 1D/2D barcode.
17	Optional RFID	RFID reader for reading of RFID tags.
18	Rear Camera	5MP Autofocus Camera. Captures photos and videos.
19	Camera Flash	LED camera flash to provide flash lighting when use with camera.
20	Expansion Port	Provides optional connectivity to custom modules for special application (USB2.0 x 1 , RS232 x 1).
21	Fn2 Button	Programmable function key configured by HotTab Utility. Default: Camera
22	Volume Buttons	Volume Control. (+) Raises volume, (-) Lowers volume.
23	Battery Lock Latch	Latch to lock the battery in place once battery is inserted. Not spring-loaded.
24	Battery Release Slider	Spring-loaded slider that latches the battery in.
25	Touch Pen Slot	Pen holder slot to store touch pen
26	3G Module/SIM card slot	Service window to insert Micro SIM card. Also provide access to 3G Module.
27	Speakers	Emits sounds.

No	Item	Description
28	Docking Connector	Port to docking solutions such as vehicle docking to provide power and external antenna

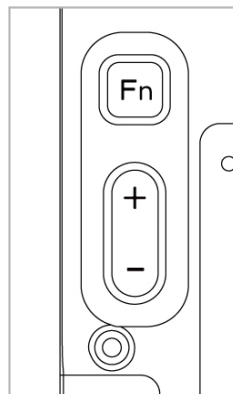
Docking Connector Detail:



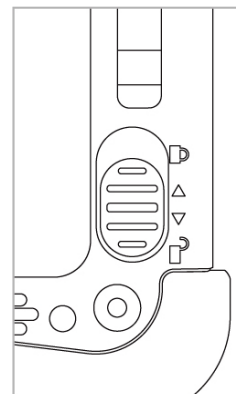
Expansion Port Detail:



Rear Buttons Detail:



Battery Lock Latch Detail:



Combination Keys (Keyboard Key Emulation)

For the physical buttons on the M101B tablet computer, in addition to their dedicated functions detailed in the previous section, they can also be used to emulate commonly used keyboard key strokes. Under different scenario, a single physical button or a combination of physical buttons provide different keyboard key strokes, which are specified below:

Under POST (before Windows boots up):

Buttons	Keystroke
Menu	F7
Fn1	Recovery Menu
Fn2	ESC
Volume Up	Up
Volume Down	Down
Menu + Fn1	Enter
Menu + Volume Up	Right
Menu + Volume Down	Left

Under Windows:

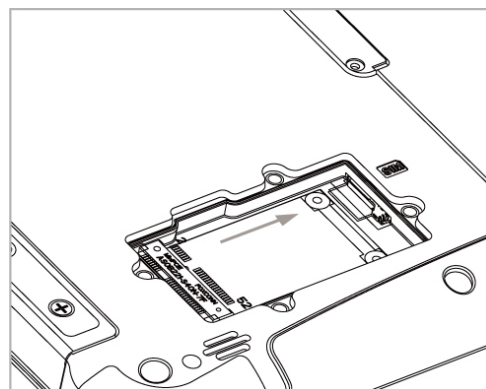
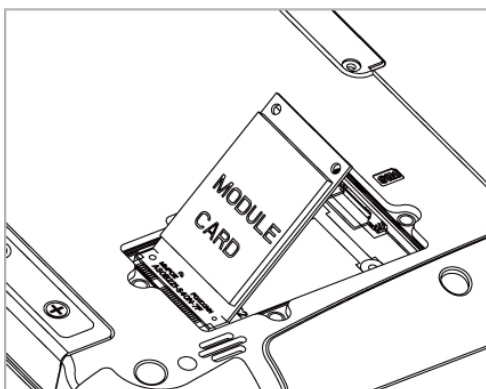
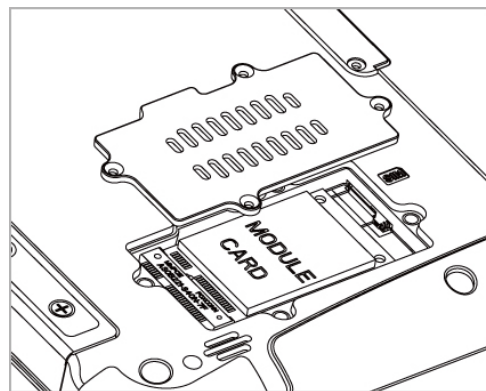
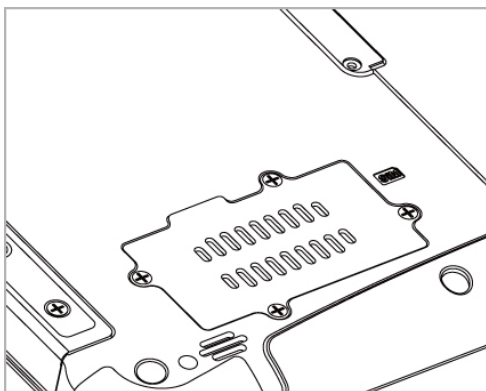
Buttons	Keystroke
Volume Up + Volume Down	Ctrl + Alt + Del

First-time Operation

Insert SIM card (For Optional 3G/LTE equipped device)

The Tablet Computer supports data connection using 3G/LTE SIM cards and fits a Micro-SIM card. (Note: 3G/LTE feature is optional). Perform the following to install the SIM card into your Tablet Computer:

1. Remove the service window in the rear by unscrewing the four screws.
2. Remove the screw that is securing the 3G/LTE module.
3. Carefully lift the 3G wireless module up, and be careful not to damage the connected cable.
4. Make sure the SIM card IC contact patch is faced down; the notch is in the direction of insertion (towards right).
5. Insert the 3G SIM card into the slot located near the right side of the service window.
6. Reposition the removed 3G/LTE module screw to secure the 3G/LTE module.
7. Reposition the removed service window screw to secure the service window.

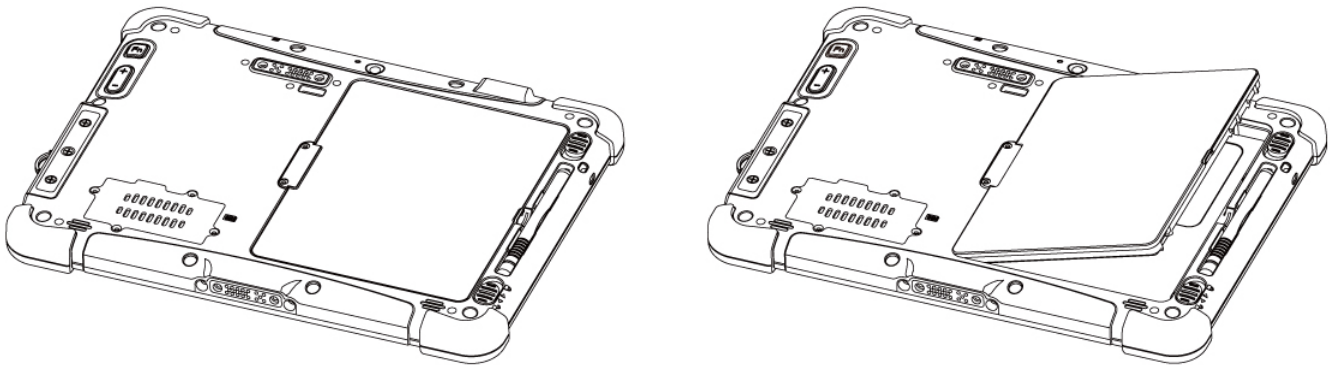


Inserting Battery Pack

To insert the included standard battery pack into the Tablet Computer:

1. Disconnect any cords connected to the tablet computer.
2. Turn the tablet computer over, back facing up.
3. Locate the Battery Lock Latch and push it to the “Unlocked” position.
4. Locate the Battery Release Slider that is spring-loaded. Pull back and hold.
5. Insert the battery with the connector-pins side first, and then lower the battery into the battery compartment. Continue to hold the Battery Release Slider until the battery is fully inserted.

6. Make sure the battery is completely lowered into the compartment before letting go of the Battery Release Slider. Battery will be flat against the housing once fully inserted



Removing the Battery Pack

1. Shut down the tablet computer (or put it to sleep). Disconnect any cords connected to the computer.
2. Turn the tablet computer over, back facing up.
3. Locate the Battery Lock Latch and push it to the “Unlocked” position.
4. Locate the Battery Release Slider that is spring-loaded. Pull back and hold.
5. Lift the battery out using the opening on side of battery compartment.

Connecting to Power Supply

The Tablet Computer operates either on external AC power or internal battery power. It is recommended to use AC power when you start up the Tablet Computer for the first time.

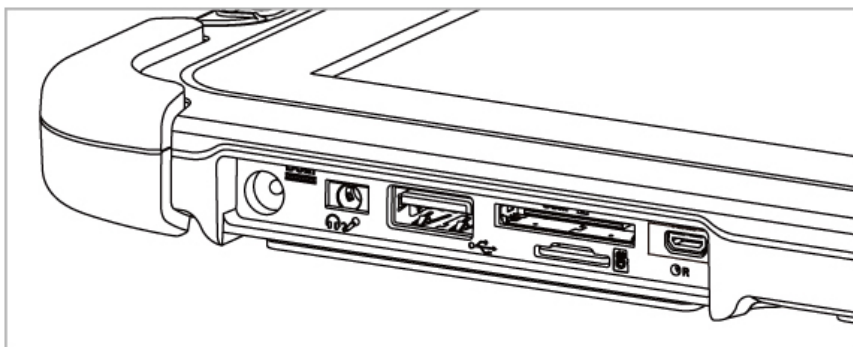


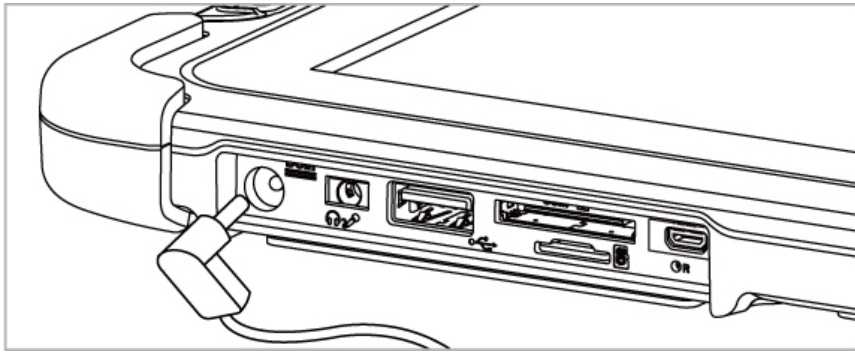
Caution

Use only the AC adapter included with your Tablet Computer. Using other AC adapters may damage the Tablet Computer and the Battery.

Perform the following to connect the Tablet computer to AC Power:

1. On the side of the Tablet computer, lift the I/O protective cover by pulling on the latch
2. Plug the DC cord of the AC adapter into the Power Jack of the tablet computer.
3. Plug the AC power cord into the AC adapter.
4. Finally, Plug the AC power cord into the electrical outlet.





When the AC Adapter is connected, the battery pack starts charging. The battery LED indicator on the tablet computer will show different states. Please refer to description of the LED indicator in the Description of Parts.

Turning On / Off

Turning On

Press and hold the power switch for 3 seconds until the blue LED power indicator light is lit up.

Note:

- Do not press the power switch repeatedly.
- Do not perform the following operations until the hard drive indicator turns off
 - Connecting or disconnecting the AC adapter
 - Pressing the power switch
 - Touching the tablet buttons, screen, or external keyboard/mouse

Turning Off

Perform the following procedure to shutdown the Tablet Computer:

1. Make sure you have closed any programs that are open on the Desktop. Start Screen apps don't need to be closed.
2. Open the Charms Bar by swiping your finger from the far right of the screen towards the middle of the screen.
3. Tap on the **Settings** charm.
4. Tap on **Power**.
5. Tap on **Shut Down**.
6. Wait for the Tablet Computer to power off.

Note:

- The computer will forcefully be turned off if the power switch is pressed and held for six seconds or longer.

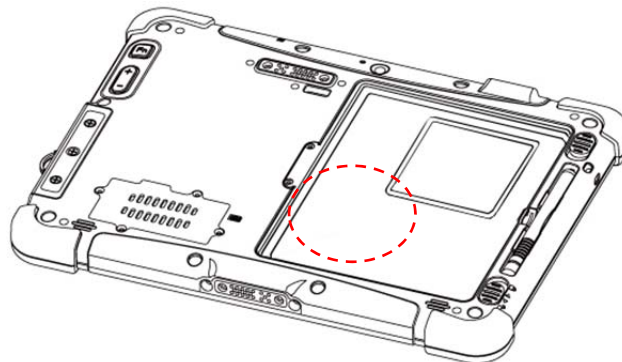
Setting up Windows on your computer for the first time

When setting up Windows for the first time on your computer, the procedures vary on the different versions of Windows. Some versions of Windows require entry of a product key. Refer to the following table for product key entry:

Windows Versions	Require Entry of Product Key?
Windows Embedded Standard 7 (WS7P)	No
Windows 7 Professional	Yes
Windows 7 Ultimate	Yes
Windows Embedded 8 Standard	No
Windows Embedded 8.1 Industry Pro	No

Location of the Product Key

For versions of Windows that require entry of a Product Key, find the Product Key sticker located on the inside surface of the battery slot after removing the battery:



Detail First Time Setup Instruction

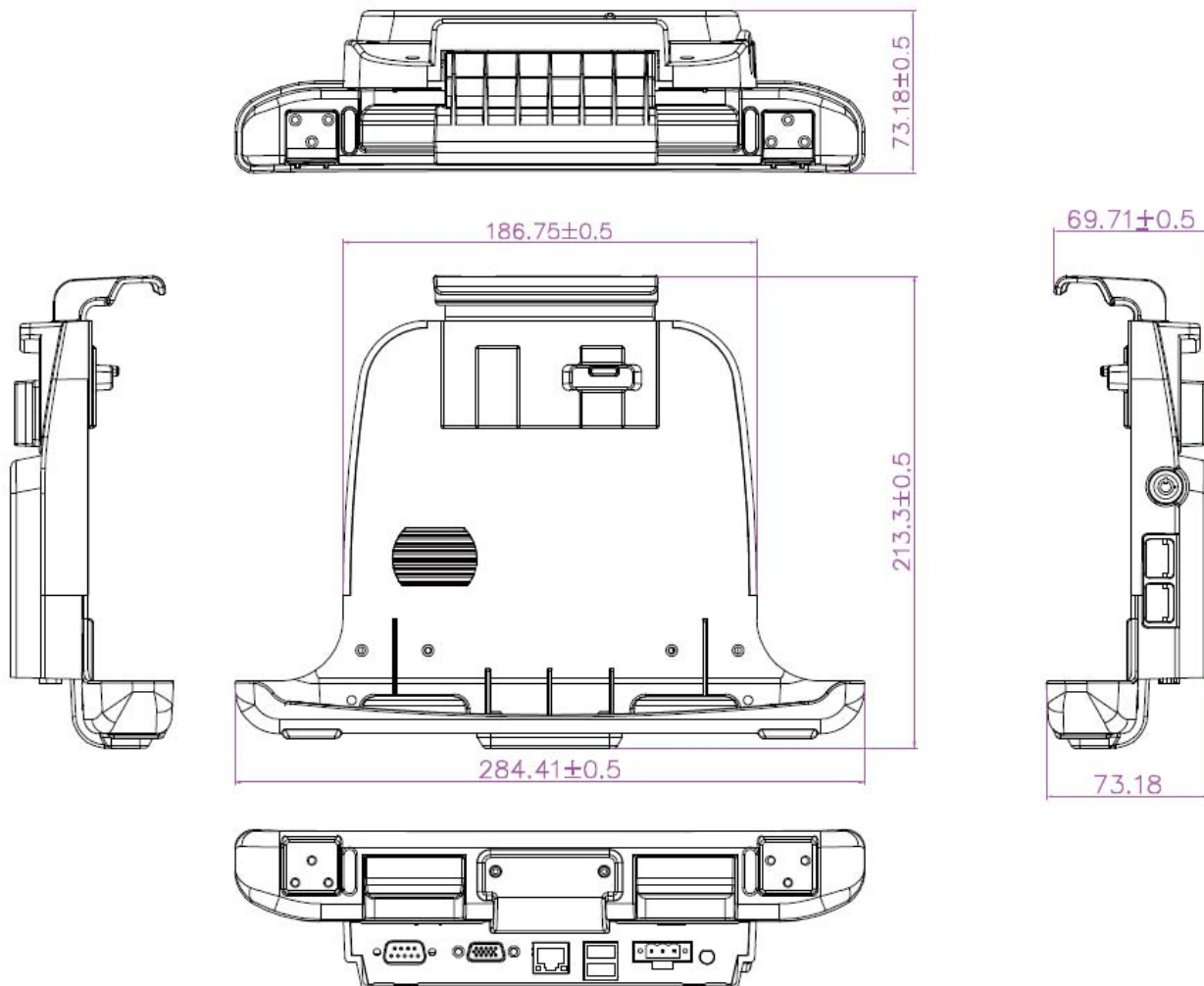
For more detailed step by step first time setup instructions, please download the latest user manual by going to <http://www.winmate.com.tw> OR refer to the digital copy of user manual included in the disk that comes with the tablet.

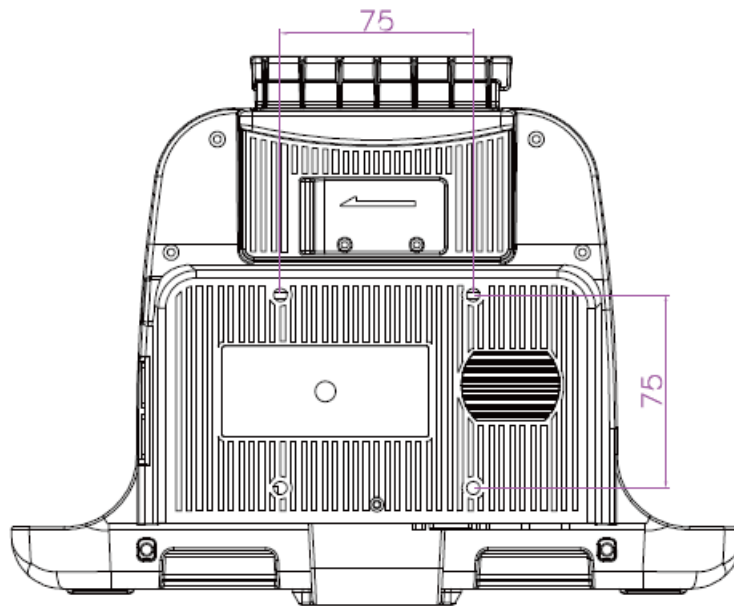
Vehicle Docking (Optional)

Features

- Holds the tablet securely in a moving vehicle
- Easy to remove / insert with one hand
- VESA mount for various standard fixtures
- USB (x2) on docking for quick access
- Anti-theft design with security lock
- Lockable terminal block connector for 9-36V DC input

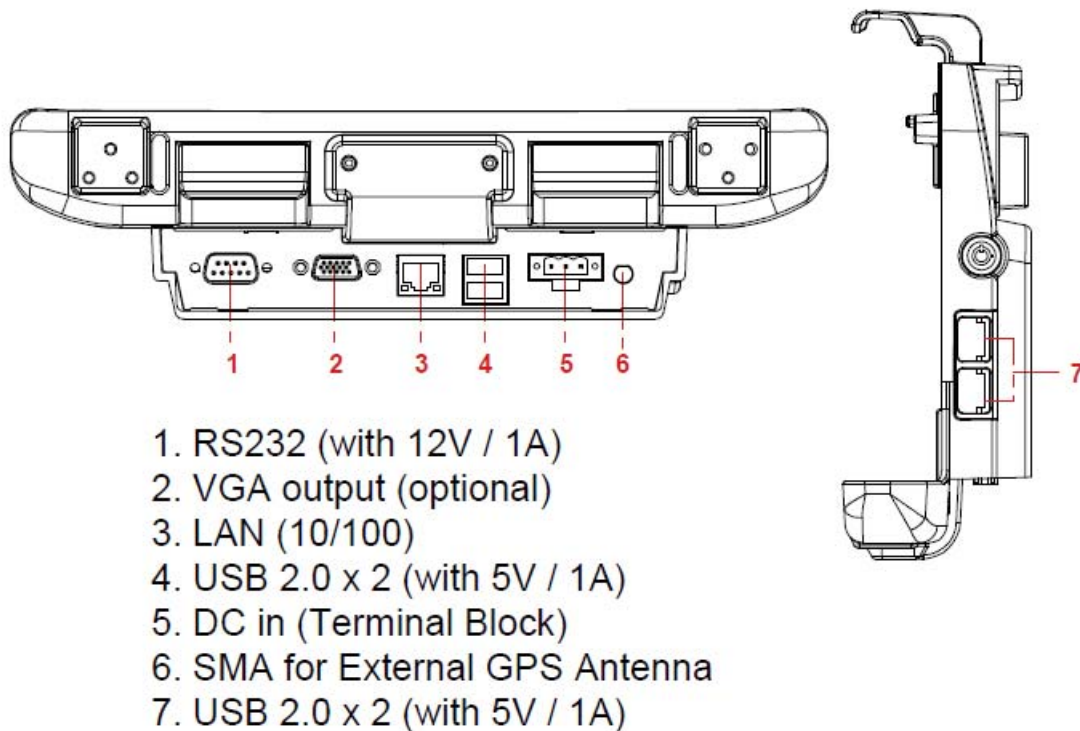
Dimensions





*All dimensions in millimeters

Description of Parts



1. RS232 (with 12V / 1A)
2. VGA output (optional)
3. LAN (10/100)
4. USB 2.0 x 2 (with 5V / 1A)
5. DC in (Terminal Block)
6. SMA for External GPS Antenna
7. USB 2.0 x 2 (with 5V / 1A)

First Time Operation

Driver installation

For the tablet to work with the vehicle docking, the driver of the vehicle docking has to be installed first. The vehicle docking driver is not pre-installed on the tablet. For a detailed installation guide, please refer to the CD that is included with the package. OR visit winmate official site's download center to download the latest driver: <http://www.winmate.com.tw/>

Mounting

The vehicle docking is designed to work with a standard 75mm x 75mm VESA vehicle mounting arm or base. Please mount the VESA plate on the back of the vehicle mount first before using it with the tablet.

How to Use

Insert Tablet



1. Lower the tablet with its top slightly tilted forward into the vehicle mount. Align the docking alignment fingers on the bottom of the vehicle mount to bottom of the tablet where the two alignment holes (to the sides of the pogo-pin) are, then push the tablet in against the vehicle mount.
2. Make sure the tablet's back is aligned upright against the vehicle mount. Reposition if the tablet still moves around.
3. Once the tablet is aligned, hold your fingers on the hand grip on the back of the vehicle mount like shown in the picture, and push down on the top hook with the palm of your hand until a click sound is heard to secure the tablet into the vehicle mount.

Remove Tablet



1. Reach for the latch on the back of the tablet and pull it sideways.
2. The top hook should be released after the latch is pulled.
3. Tilt the tablet slightly forward first, and then pull the tablet straight up to remove it.

Powering the Vehicle Docking

The vehicle docking's input/output expansion functions will only work if power is connected to it. The vehicle docking is designed to be powered via its terminal block input.

There are two ways of powering the terminal block input:

1. Use the optional power cable (car cigarette lighter to terminal block)
2. Provide 9~36V input power to the terminal block directly.

External Display Modes (If optional VGA port is equipped)

Display Modes	Description
Duplicate (Clone) Mode (Default setting)	Under duplicate mode, users can easily operate the tablet with touch screen.
Extend Mode	Under extend mode, due to Intel graphic driver issue, touchscreen function on tablet may not work correctly. It is recommended to operate the tablet with keyboard / mouse under this mode. If touch function is desired, please use the duplicate mode.

Note: Display settings are saved automatically for use next time.

Specification

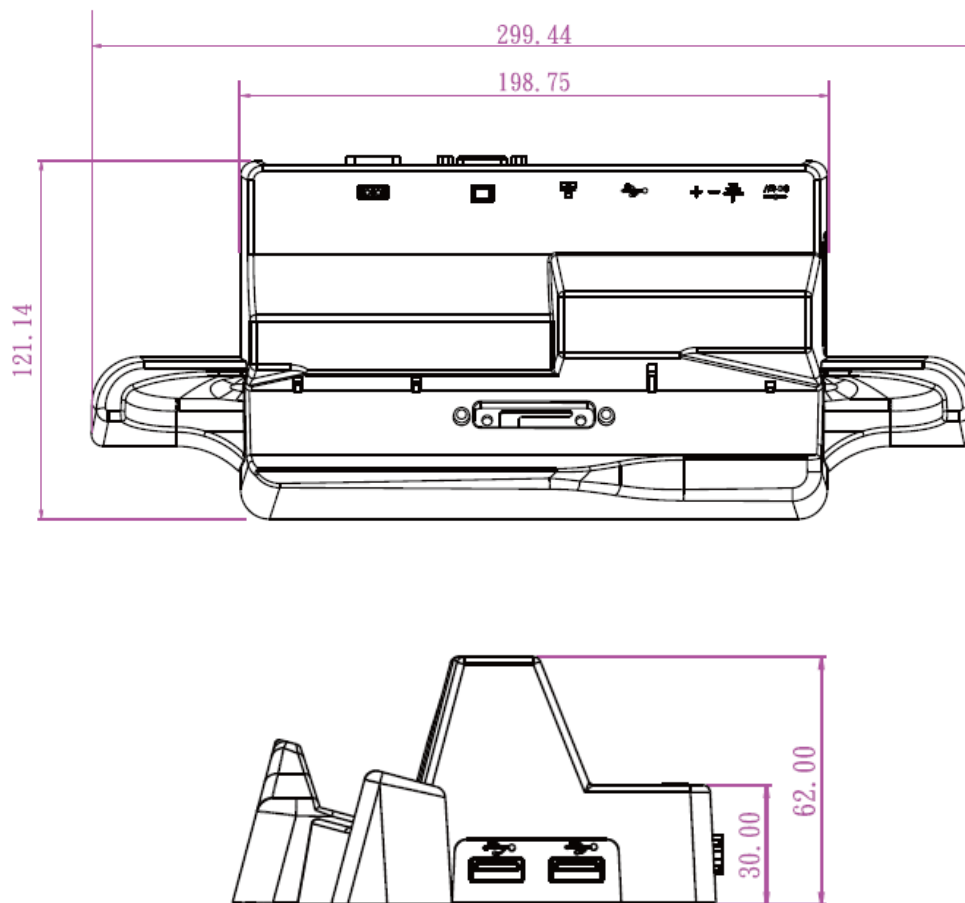
Dimension		284.41 x 213.3 x 73.8 mm
Power Input		9~36 DV in
I/O Support	Bottom	RS232 x 1, USB 2.0 x 2, 10/100 LAN x1, VGA x 1 (optional), SMA x 1 (for external GPS antenna), Terminal Block Input
	Side	USB 2.0 x 2
Mounting		75 x 75mm VESA Mount
Vibration		MIL-STD 810G, 5 ~ 500Hz, 2.24G

Desk Docking (Optional)

Features

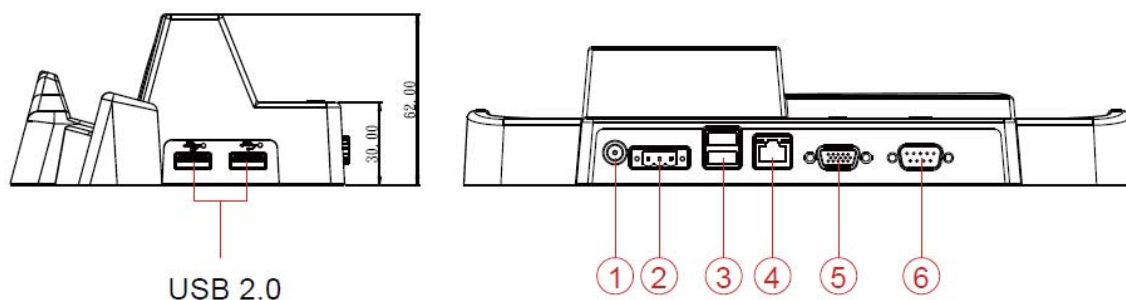
- Designed to fit M101B
- 19V DC IN
- LAN, RS232, USB x 4, VGA expansion
- Optional WPR support (9-36V)

Dimensions



*All dimensions in millimeters

Description of Parts



1. 19 DC IN
2. 9-36V DC IN (optional)
3. USB 2.0 x 2
4. LAN (10/100)
5. VGA output
6. RS232

First Time Operation

Driver installation

For the tablet to work with the desk docking, the driver for the desk docking has to be installed first. The desk docking driver is not pre-installed on the tablet. For a detail installation guide, please refer to the CD that is included with the package OR visit winmate official site's download center to download the latest driver: <http://www.winmate.com.tw/>

How to Use

Insert Tablet

1. Align the docking alignment fingers on the bottom of the desk docking mount to the bottom of the tablet where the two alignment holes (to the sides of the pogo-pin) are, then lower the tablet in to position.
2. Make sure the tablet is aligned with the desk docking. Reposition if the tablet still moves around.

Remove Tablet

1. Remove the tablet by lifting the tablet straight up from the desk docking.

Powering the Desk Docking

The desk docking's input/output expansion functions will only work if power is connected to it. The desk docking is designed to be powered via its 19V 2.5 Ø DC input.

There are two ways of powering the desk docking:

1. Use the power adapter that is included with the tablet as the desk docking does not come with a separate power adapter.
2. Provide 9~36V input power to the terminal block directly.

External Display Modes

Display Modes	Description
Duplicate (Clone) Mode (Default setting)	Under duplicate mode, users can easily operate the tablet with touch screen.
Extend Mode	Under extend mode, due to Intel graphic driver issue, touchscreen function on tablet may not work correctly. It is recommend to operate the tablet with keyboard / mouse under this mode. If touch function is desired, please use the duplicate mode.

Note: Display settings are saved automatically for use next time.

Specification

Dimension	299.44 x 121.14 x 62.00 mm	
Power Input	19V DC In (Default) 9~36 DC Terminal block (Optional)	
I/O Support	Rear	RS232 x 1, USB 2.0 x 2, 10/100 LAN x1, VGA x 1, DC 2.5 Ø Input, Terminal Block Input
	Side	USB 2.0 x 2